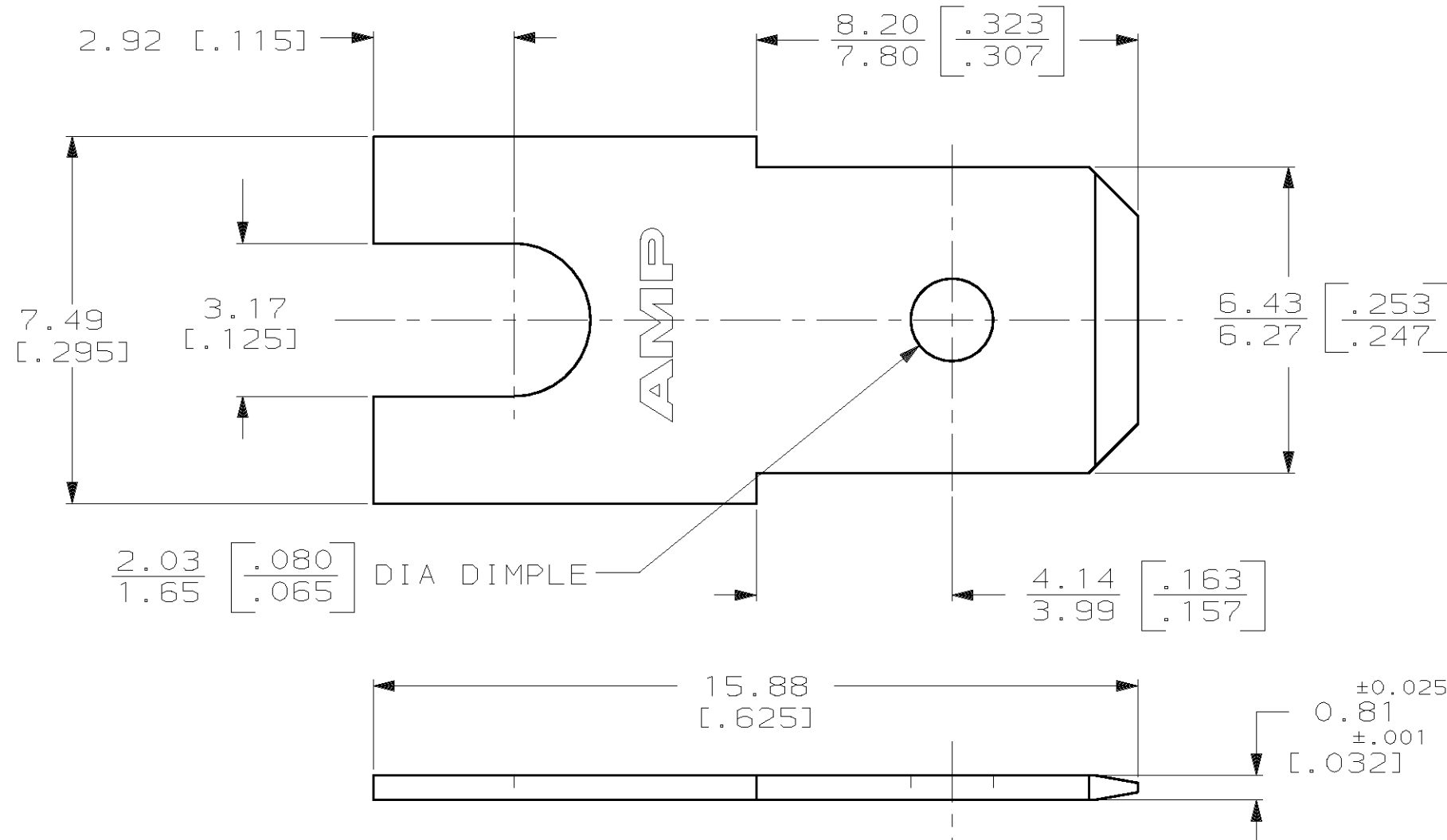


THIS DRAWING IS UNPUBLISHED. RELEASED FOR PUBLICATION, 19 .
 © COPYRIGHT 19 BY AMP INCORPORATED. ALL INTERNATIONAL RIGHTS RESERVED.

LOC	DIST	P	F	REVISIONS				
				ZONE	LTR	DESCRIPTION	DATE	APPD
AF	50				G	REV PER 0L10-0205-97	5/14/97	JR

1 SUPPLIED IN LOOSE PIECE



METRIC

T3 STEEL	60447-2	
082 BRASS	60447-1	
MATERIAL	PART NO	
AMP	AMP Incorporated Harrisburg, PA 17105-3608	
NAME	TAB, FASTON, 6.35 [.250] SERIES	
SIZE	CAGE CODE	DRAWING NO
B	00779	60447
SCALE	8:1	SHEET
		1 OF 1

DO NOT SCALE PRINT. UNLESS SPECIFIED DIMENSIONS IN mm [INCHES] TOLERANCES ON: 2 PLC DEC ± 0.25 [.010] 3 PLC DEC ± - ANGLES ± -	DR 12/19/91 JR RUTH
MATERIAL	CHK 12/19/91 MS FEHER
SEE TABLE	APPD 12/19/91 C MEYERS
FINISH	APPD 12/19/91 D REINER
	PRODUCT SPEC
	APPLICATION SPEC
	WEIGHT -